

## SUBMITTAL SHEET

JOB NAME	ITEM TAG
JOB LOCATION	PART NUMBER
CONTRACTOR	DATE
ENGINEER APPROVAL	DATE

### DUAL-CHECK BACKFLOW PREVENTER WITH ATMOSPHERIC VENT

#### T/S-459

Forged brass construction.

Threaded or sweat true union end connections.

Designed for continuous-pressure hot or cold water lines such as boiler feed or process equipment lines attached to the potable water supply.

Inlet screen reduces the chance of check fouling.

Intermittent emergency back-flow protection up to 250°F.

#### Working Pressure, Non Shock (PSI)

Saturated Steam (WSP): Not suitable for steam service

Maximum Water Pressure: 175 psi @ 210°F



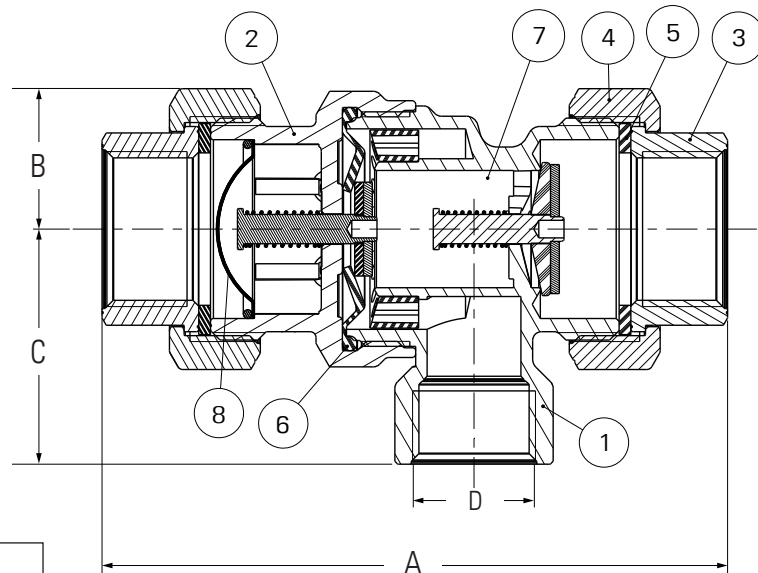
**Pictured  
T-459**



**Pictured  
S-459**

#### MATERIAL SPECIFICATION

PART	MATERIAL	SPECIFICATION
1 Body	Forged brass	ASTM B124 / UNS C37700
2 End Adapter	Forged brass	ASTM B124 / UNS C37700
3 Female Adapter (2)	Forged brass	ASTM B124 / UNS C37700
4 Union Nut (2)	Forged brass	ASTM B124 / UNS C37700
5 Adapter gasket	EPDM	Commercial grade
6 Seal membrane	EPDM	Commercial grade
7 Check assembly	Various	-
8 Debris screen	Stainless steel	AISI 304



**Pictured  
T-459  
Cut-away**

#### DIMENSIONS

Size	A(IPS)	A(CTS)	B	C	D	Cv factor	Wt.(lb)
1/2"	4.125	4.25	0.90	1.50	1/2" FNPT	3.0 gpm	1.20
3/4"	4.125	4.88	0.90	1.50	1/2" FNPT	3.0 gpm	1.28

#### Certifications/Listings:

Third-party certified.

ASSE 1012: Performance requirements for backflow preventers with an intermediate atmospheric vent.

CSA B64.3: Backflow preventers and vacuum breakers.

#### Standards:

ANSI/ASME B1.20.1: Pipe threads, general purpose, (inch).

ANSI/ASME B16.18: Cast pressure alloy solder-joint pressure fitting.